



Microswitches and sealed position switches

If your application depends on it

SERIE **MP700**

- Plastic or metal case
- IP67 protection
- 30 mm or 35 mm case width
- Wide temperature range



Sealed limit switches



Serie MP700

The family MP700 of sealed limit switches with their metal or plastic housing finds their application everywhere you have limited space available and where the environmental conditions are difficult.

The products comply with IEC 947-5-1 and come with a choice of more than 10 different actuators. The cable is directly moulded into the housing for a complete IP67 protection.



Major specifications

- Metal or plastic housing
- 30 mm or 35 mm housing width
- Forced break switch with slow action or snap action
- Complete IP67 protection
- Ouvermoulded cable connection

General technical data

	MP720	MP730..MP760
Standards device confirms with	IEC 947-5-1	IEC 947-5-1
Operating Temperature	-40°C to +130°C -40°F to +266°F	-25°C to +70°C -13°F to +158°F
Degree of protection	IP67	IP67
Mechanical Life	10 million operations	10 million operations
Switching frequency	3600 operations per hour	3600 operations per hour
Switching Mechanism	forced break slow action	forced break slow action or snap action
RATING		
Conventional thermal current	6A	5A
Short circuit protection	6A	6A
Rated operational current	<ul style="list-style-type: none"> • 240VAC AC-15 3A • 250VDC DC-13 0.27A 	<ul style="list-style-type: none"> AC-15 1.5A DC-13 0.1A

MP7 0 0 - 0 - 0 / 4 2

Case

- 2** 130°C Version
- 3** plastic 30 mm
- 4** metal 30 mm
- 5** plastic 35 mm
- 6** metal 35 mm

Cable outlet

- 0** right
- 1** right gold plated°
- 2** left
- 3** down

Switching Block

- 0** X Slow Action
- 1** Y Snap Action°

Actuator

see pictures

Number of conductors (4 or 5)

Cable length in m (1 m standard)

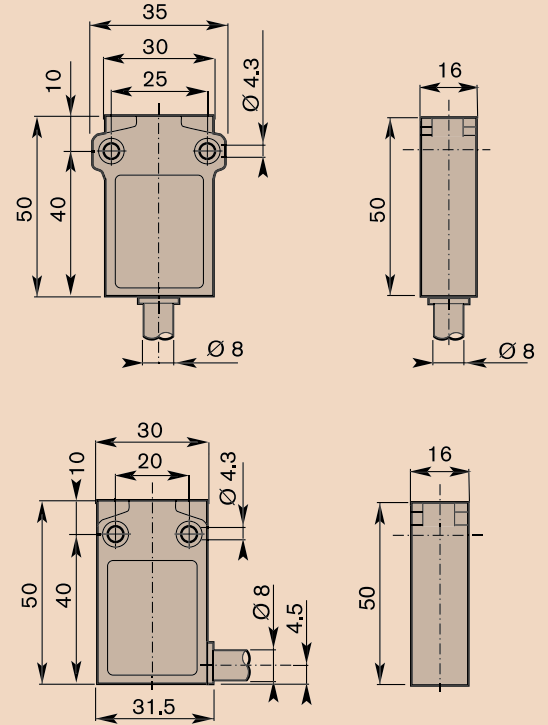
Cable Material (PVC standard)

SI Silicone (upon request)

PUR Polyurethane (upon request)

° only available for 130°C version

° not available for 130°C version



Actuators

*Standard roller in plastic (P), metal (A) also available





MICROPRECISION ELECTRONICS SA

P.O. Box 160 ▪ Route de l'Industrie 27
CH - 1896 VOUVRY ▪ SWITZERLAND
Tel: +41(0)24 481 43 43 ▪ Fax: +41(0)24 481 43 60
info@microprecision.ch ▪ www.microprecision.ch

Trust more than 50 years of experience!

Companies, whose activities encompass such different areas as food processing, chemicals, machine-tools, transport, etc., have been placing their trust in Microprecision Electronics SA for a long time; they have found it to be a first-class and reliable partner, able to supply tailor-made products which meet international standards.

56 basic types and more than 1000 possible configurations allow virtually any application to be met in industries where harsh environments require the highest technological competence.

Microprecision Electronics SA has set itself the task of listening to its customers expectations so that it can provide tailor-made solutions from the small production runs.



For more information, please contact one of our resellers
or visit our website: www.microprecision.ch

