



5mm Panel Mount NVIS LED Assemblies

## Special Features

- MIL-L-85762A and MIL-STD-3009 compliant
- Rugged construction - sealed to IP66
- Front and rear mounting - connector options
- Nickel or black anodized finish

## Specifications

- CC/CR/BR series front mounts in .312" ± .002" (7.93 ± 0.05 mm) hole
- CRM/BRM series rear mounts in .315" ± .002" (8.00 ± 0.05 mm) D-shaped hole
- Termination: 6.0" (152.4 mm) 24AWG red(anode) and black(cathode) MIL-W-22759/33 leads stripped .250" (6.35mm) standard or LED pins

## Resistor Chart

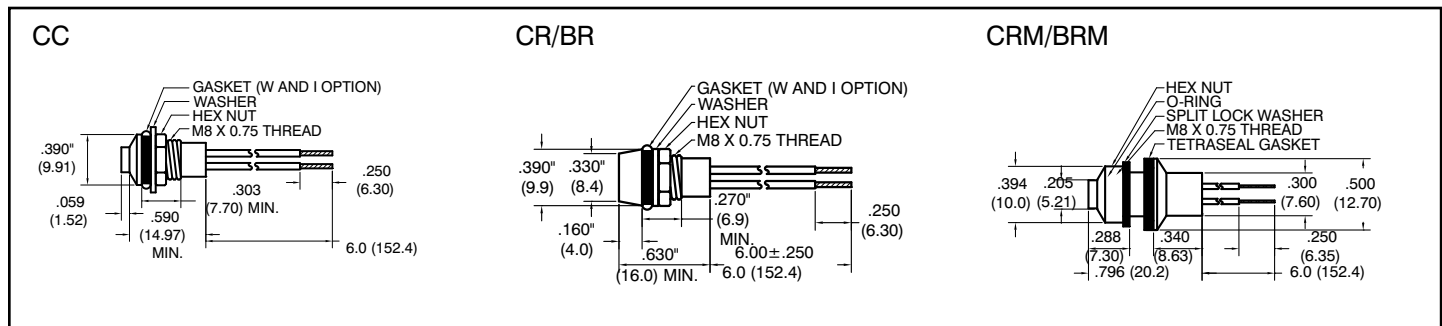
OPERATING SPECIFICATIONS				
Resistor Value Code	Voltage	Current (mA)	Resistor Value (Ohms) Yellow/Green	Resistor Value (Ohms) Red
0000	3.2	20	None	
9922	3.2	20		65
9926	5	20	91	
9907	5	20		150
9908	12	20	511	
9908	12	20		511
9910	24	20	1100	
9910	24	20		1100
9923	28	20	1500	
9923	28	20		1500

## Electrical and Optical Characteristics

LED Part #	Color	Luminous Intensity (mcd) Typ. @ I <sub>F</sub> (mA)		V <sub>F</sub> Typ. @ I <sub>F</sub> (mA)		Viewing Angle 2 θ ½
3320	Yellow B	2288	20	3.2	20	60°
3321	Green B	1573	20	3.2	20	60°
3322	Green A	1573	20	3.2	20	60°
3323	Red B	2600	20	2.2	20	60°

## 5mm LED\* Package Styles

(BR/BRM have black anodized finish)



\*3mm versions also available  
All dimensions are in inches (mm)

## How To Order

