

CRM0/CRM1 Series T1 3/4 Rear Mount LED

Special Features

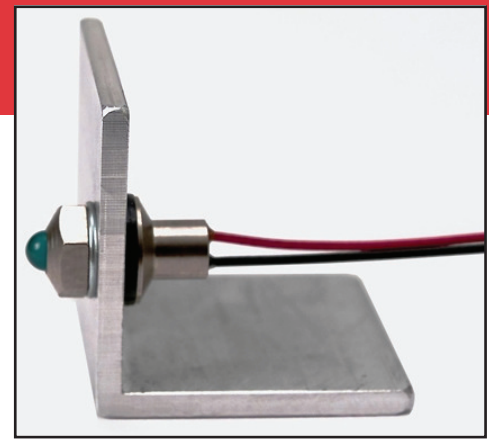
- Rugged watertight construction - sealed to IP66
- Nickel plated brass housing and hex nut
- Rear mounts in .315" (8.00mm) D-shaped hole
- Optional internal resistor for 5V-60VDC and 120VAC
- Wide selection of wire sizes and types - including MIL-W22759 MIL-Spec wire
- Internally potted-suitable for high vibration applications
- Connector options available
- LED removal from panel possible without removing terminations

Specifications

- Mounting hole: .315" (8.00) D-shaped hole
- Termination: 24 AWG 6" red (anode) and black (cathode) leads stripped to 1/4" standard or LED pin
- Housing: Nickel-plated brass housing
- Hardware: Hexnut, lock washer, and gasket provided
- Panel thickness: .118" ± .006" (3.00 ± 0.15)
- Mounting torque: 20 ± 2 in-lb (2.26 ± 0.23 N-mm)

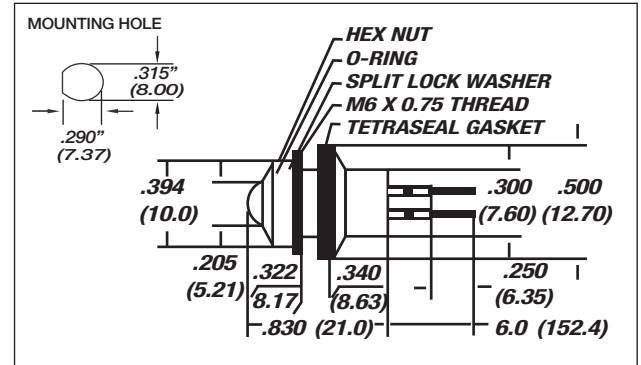
Electrical and Optical Characteristics (TA = 25°C)

LED Part #	Color	Luminous Intensity (mcd) Typ.@If (mA)	Vf Typ.@ If (mA)	Viewing Angle 2 @ 1/2	Peak Wavelength (nm)		
HIGH EFFICIENCY							
3008	Red	7.0	10	1.9	10	60°	635
3019	Green	14.0	10	2.1	10	60°	565
3020	Yellow	8.0	10	2.0	10	60°	583
3022	Orange	7.0	10	1.9	10	60°	600
ULTRA BRIGHT - DAYLIGHT READABLE							
3056	Red	400.0	20	1.9	20	30°	660
3055	Yellow	400.0	20	2.0	20	30°	590
3054	Green	300.0	20	3.2	20	30°	520
3060	Orange	600.0	20	2.1	20	30°	610
SUPER ULTRA BRIGHT							
3036	Red	2800.0	20	1.85	20	20°	660
3046	Red	900.0	20	1.9	20	30°	626
3047	Green	5490.0	20	3.2	20	20°	520
3048	Amber	1300.0	20	2.02	20	30°	592
BLINKING (Operates at 3.5V to 14V, blinking frequency from 3.0Hz to 1.5Hz)							
4002	Red	198.0	22	5.0	22	60°	660
BICOLOR (3 leaded - common cathode)							
0909	Red	697.0	20	1.95	20	60°	650
	Green	198.0	20	2.1	20		574
0910	Yellow	198.0	20	2.0	20	60°	590
	Green	168.0	20	2.1	20		574
BICOLOR (2 leaded)							
9001	Red	30.0	20	2.0	20	60°	627
	Green	20.0	20	2.2	20	60°	565
9002	Yellow	10.0	20	2.1	20	60°	590
	Green	20.0	20	2.2	20	60°	565
TRICOLOR (4 leaded - common cathode)							
3900	Red	547.0	20	1.9	20	60°	640
	Yellow	397.0	20	2.0	20	60°	590
	Green	497.0	20	3.2	20	60°	520
FULL COLOR R/G/B (4 leaded - common anode)							
2400	Red	2490.0	20	2.2	20	60°	640
	Green	1790.0	20	3.2	20	60°	525
	Blue	497.0	20	3.2	20	60°	458
BLUE							
3044	Blue	60.0	20	3.8	20	20°	430
3045	Blue	150.0	20	3.8	20	16°	430
WHITE							
3061	White	27000.0	20	3.2	20	15°	N/A



5mm Panel Mount LED Assemblies

Package Dimensions



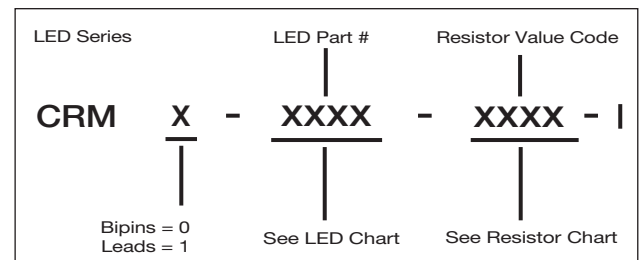
All Dimensions are in inches (mm)

Resistor Chart

OPERATING SPECIFICATIONS				
Resistor Value Code	Voltage	Current (mA)	Resistor Value (Ohms) Red, Green, Yellow, Amber LED	Resistor Value (Ohms) Blue, White LED
0000	2	10 or 20	None	Not Available
9900	5	10	332	None
9901	12	10	1000	
9902	12	10		715
9903	24	10	2210	
9904	24	10		1910
9905	28	10	2610	
9906	28	10		2320
9907	5	20	150	None
9908	12	20	511	
9909	12	20		357
9910	24	20	1100	
9911	24	20		953
9912	48	9	4870	
9913	48	9		4530
9914	60	7	8250	
9915	60	7		7500
9920	120VAC	8	6490	Not Available

Note: Bi-Color, Tri-Color, and Full Color LEDs not available in AC Voltages.

How To Order



WILBRECHT LEDCO, INC.
1400 Energy Park Dr. Suite 18
St. Paul, MN 55108-5248

(651) 659-0919
Toll free (888) 323-8751
FAX (651) 659-9204
www.wilbrechtledco.com